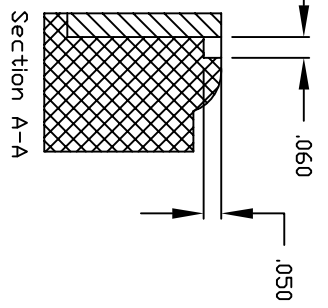
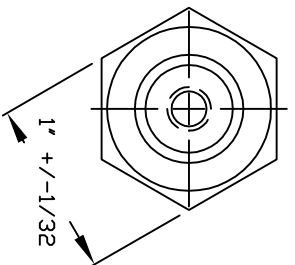
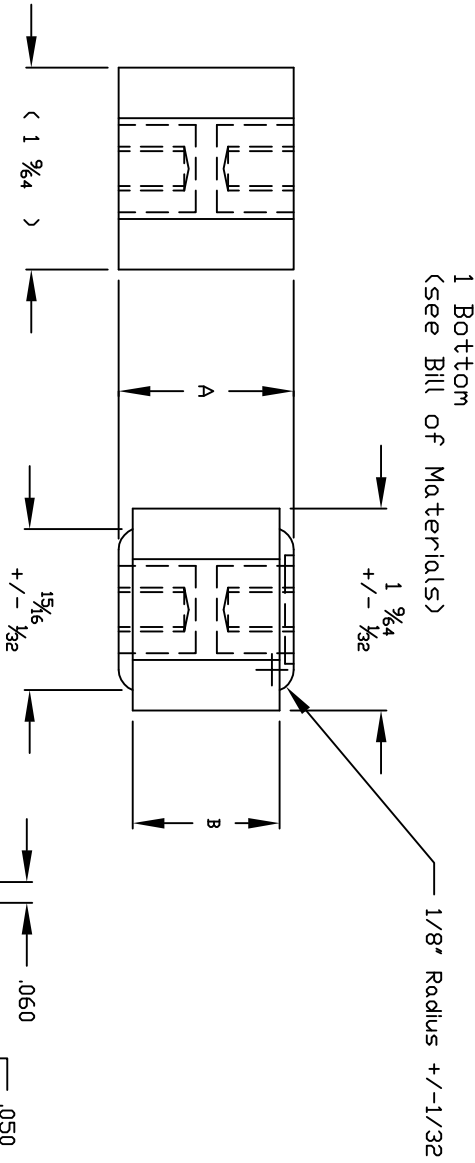
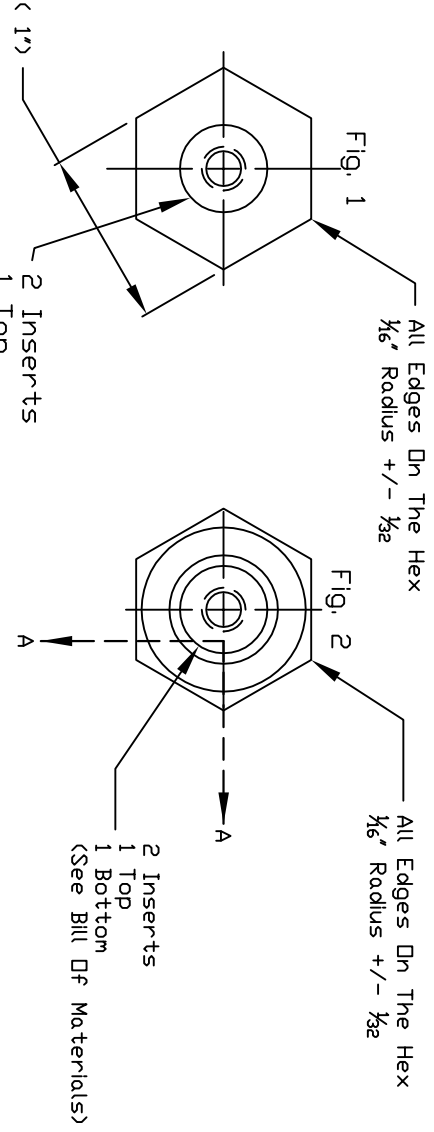


This document, and the information it contains, shall remain the proprietary property of Penn Compression Moulding Inc. No reproduction or use of this information is permitted without the express written permission of P.C.M., Inc.



Item	Part Number	Fig.	A Dim.	B. Dim 1/2 Fig. 2
1	AR5612-16A	1or2	1	.840
2	AR5612-16AST-30	1or2	1	.840
3	AR5612-16B-30	1or2	1 1/4	1.090
4	AR5612-16B	1or2	1 1/4	1.090
5	AR5612-16C	1or2	1 1/4	1.340
6	AR5612-16C-30	1or2	1 1/4	1.340
7	AR5612-18-20A	1or2	1	.840
8	AR5612-18-20B	1or2	1 1/4	1.090
9	AR5612-18A	1or2	1	.840
10	AR5612-18B	1or2	1 1/4	1.090
11	AR5612-18BX	1or2	1 1/4	1.090
12	AR5612-20-24B	1or2	1 1/4	1.090
13	AR5612-20A	1or2	1	.840
14	AR5612-20A-30	1or2	1	.840
15	AR5612-20B	1or2	1 1/4	1.090
16	AR5612-20B-30	1or2	1 1/4	1.090
17	AR5612-6MA	1or2	1	.840
18	AR5612-8MA	1or2	1	.840
19	AR5612-8MB	1or2	1 1/4	1.090
20	AR5612-16-20A	1or2	1	.840

Ltr.	Revision Record	App.	Date
I	Identified Flat Dimensions as Reference	MWM	1-16-09
H	Reworded Material Type	MRP	3-4-03

**Tolerances**  
Unless otherwise Specified

Fractional +/- .015  
2 pic dec. +/- .010  
3 pic dec. +/- .005  
Dia. +/- .006  
Angles +/- 1/2°  
1 pic. mm +/- 0.5  
2 pic. mm +/- 0.13

**PENN** Compression Moulding Inc.  
540 Pacific St. Irwin, Pa. 15642

Name: Standoff Insulator, Arc Resistant (600 Volt)

Dr. TAS 12/02/96 Chk. A. Klaus App. B. Livingston

Dwg No. AR5612 Sheet 1 of 2 Rev. 1